

- » 110 V/230 V 60 Hz/50 Hz Main voltage (DC 400 V optional)
- » Strand connections
- » Open housing according to IP20
- » Integrated electronics
- » 16,63 Ncm- 65 Ncm
- » Speed control
- » Current control (new electronics)
- » Inrush current limitation (new electronics)

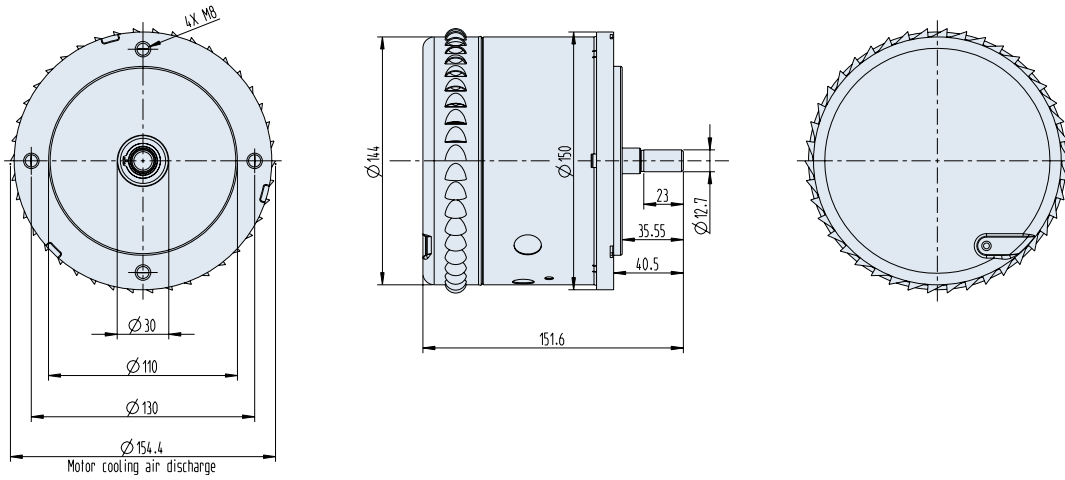
- » Electrical input:
 - » 1 differential analog input (galvanically isolated)
- » Electrical output:
 - » 1 digital output input (galvanically isolated)
 - » 10 V auxiliary voltage output (new electronics)
- » Possibility for extension by „option card“



Data		Double stack
Torque	Ncm	65
Efficiency	%	57,5
Speed	rpm	3000 (up tp 12000)
Supply voltage	VAC	110/230
Frequency	Hz	60/50
Protection class	-	IP20
Certification	-	UL
Ambiente temperature	C°	0-50°C
Input power (with cooling sytem)	W	400 W
Weight	kg	2

all data measured with standard cables 300 mm at 25°C

Dimensions in mm



Speed Control options and Electrical Connection

PWM: 400Hz – 20Mz +10V nominal, min 10% duty cycle	
Pin #	Function
1	Speed Command PWM
2	Speed Command PWM

Current: 5mA – 20mA +10V nominal	
Pin #	Function
1	Speed Command Current
2	Speed Command Current

On/Off: Without Electrical Speed Control	
Pin #	Function
1	Not Used
2	Not Used

Molex connector (Pin # 6 & 7) not present

Pin Assignment			
05P AMP Mate-N-Lok 350810-1		2 Pole Molex 39-01-3029	
Male Pins AMP 350873-1		Male Pins Molex PN 39000061	
Pin #	Function	Pin #	Function
1	Speed Command Common	6	Signal Digital Output
2	Speed Command 0-10VDC	7	Common Digital Output
3	Ground		
4	Line		
5	Neutral		