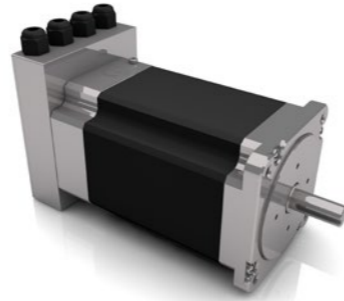
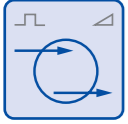



- » 2 phase Stepper Motor 1.8° step angle with integrated controller
- » 12-bit absolute magnetic encoder (single turn)
- » CANopen interface CiA 301 and CiA 402
- » Options available: EtherCAT version, Modbus RTU on RS485 version
- » Configurable resolution microstep/rev (400 to 204 800), Max. velocity 300 000 microstep/sec
- » Step accumulation with recovery (no step loss)
- » 32 programmable cycles and 10 programmable sequences including jog (velocity), indexer (position), homing, marker (rotating table)
- » Linear, parabolic and s-curve profiles
- » Commissioning software
- » Configurable digital and analogue I/Os






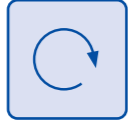
IO mode



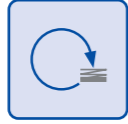
CANopen version available



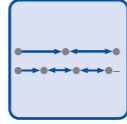
EtherCAT version available




Speed mode




Current mode



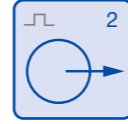
Positioning



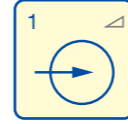
Service interface



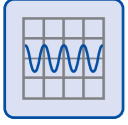
Digital inputs configurable




Digital outputs



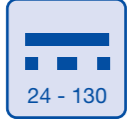
Analog inputs



Oscilloscope software available



Condition monitoring

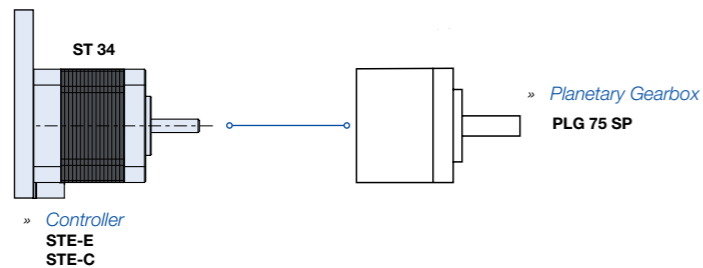


Supply voltage versions 24 - 130

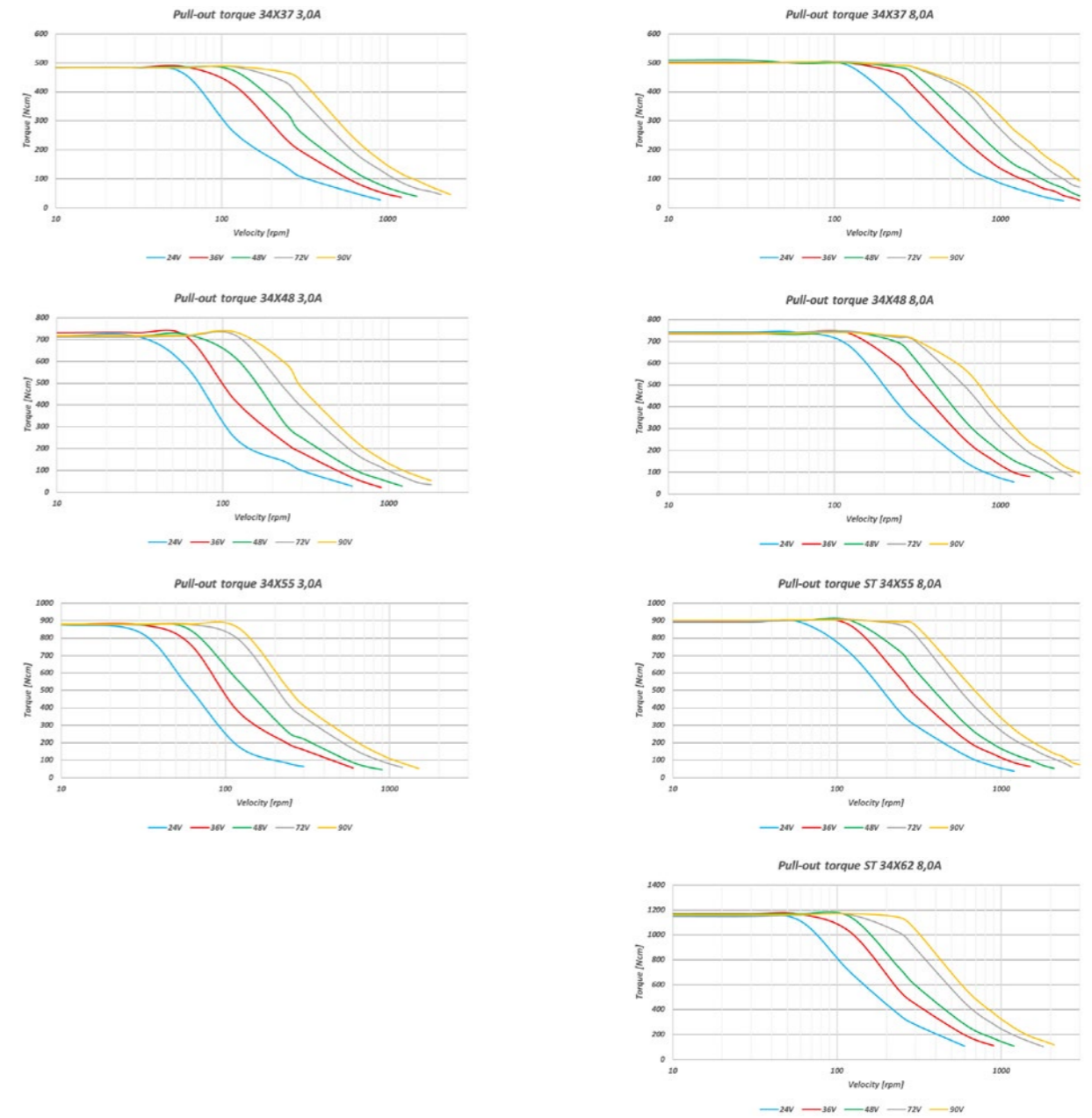
| Data | | 34x37 | | | 34x48 | | | 34x55 | | | 34x62 |
|------------------------|------------------|---------|---------|---------|---------|---------|---------|---------|---------|---------|---------|
| Rated phase current | A | 3.00 | 5.50 | 8.00 | 3.00 | 5.50 | 8.00 | 3.00 | 5.50 | 8.00 | 8.00 |
| Phase resistance | Ohm | 1.240 | 0.420 | 0.200 | 1.500 | 0.465 | 0.215 | 1.700 | 0.550 | 0.290 | 0.330 |
| Phase inductance | mH | 12.00 | 3.60 | 1.65 | 12.96 | 4.00 | 1.85 | 20.00 | 5.60 | 2.60 | 2.88 |
| Holding torque Bipolar | Ncm | 520.00 | 550.00 | 550.00 | 700.00 | 700.00 | 700.00 | 1000.00 | 1000.00 | 1000.00 | 1200.00 |
| Detent torque | Ncm | 20.00 | 20.00 | 20.00 | 20.00 | 20.00 | 20.00 | 30.00 | 30.00 | 30.00 | 35.00 |
| Rotor inertia | gcm ² | 2860.00 | 2860.00 | 2860.00 | 4732.00 | 4732.00 | 4732.00 | 6018.00 | 6018.00 | 6018.00 | 7030.00 |
| Max. voltage | VDC | 160 | 160 | 160 | 160 | 160 | 160 | 160 | 160 | 160 | 160 |
| Weight | Kg | 3.280 | 3.280 | 3.280 | 4.280 | 4.280 | 4.280 | 4.880 | 4.880 | 4.880 | 5.680 |

All data measured with standard cables 500 mm at 25°C

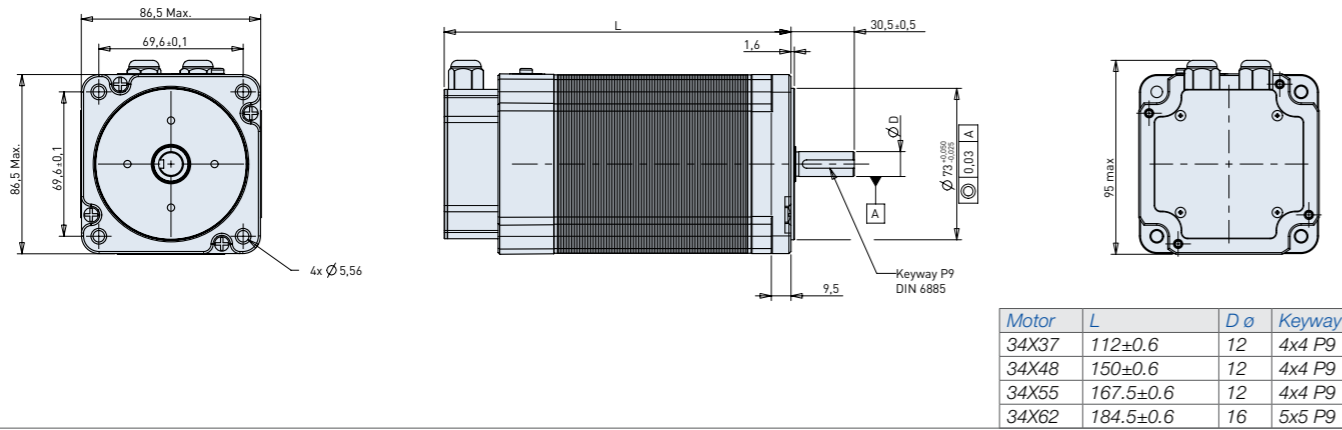
Modular System



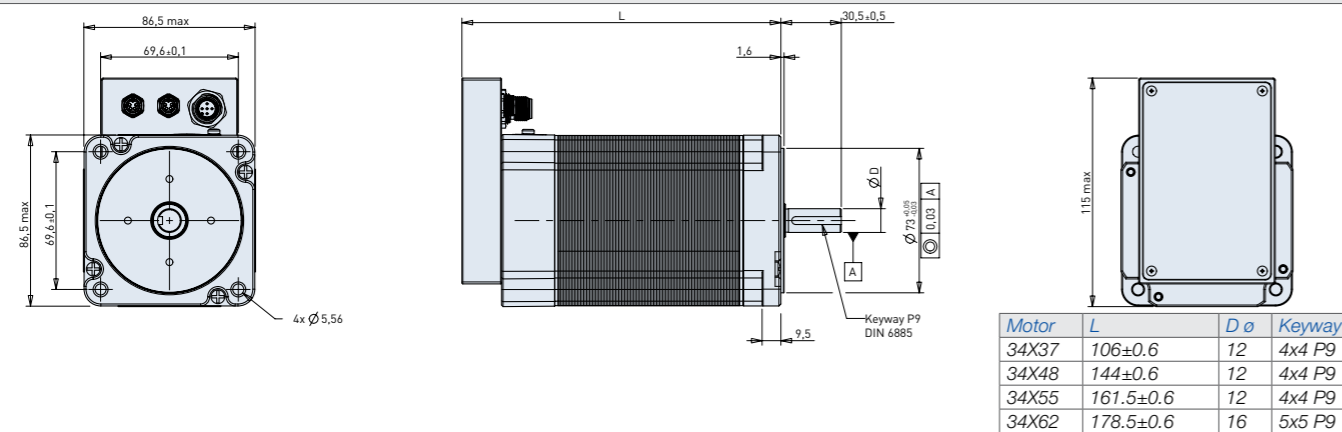
Characteristic diagram



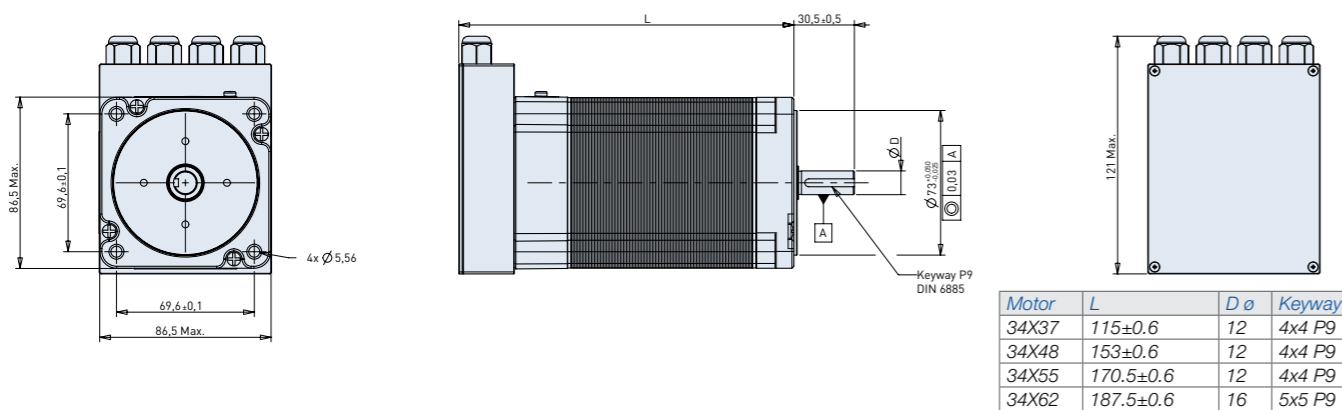
Dimensions in mm/ ST 34 STE FD1



Dimensions in mm/ ST 34 STE FD1E



Dimensions in mm/ ST 34 STE FD2



Dimensions in mm/ ST 34 STE FD2E

