

» BB 158 312 mm AC 1Ph | 612 158  
Blower ByPass Brushless

- » BLDC Blower / Electronically Commutated
- » Onboard controller with digital signal processor (DSP)
- » Programmable for various speed profiles and signals

- » Aerodynamically optimized impeller and housing
- » Closed-Loop speed control
- » Robust aluminium housing and impeller



Data		2500W	1800W
Nominal voltage	VAC	120	230
Frequency	Hz	60	50
Phase	~	1	1
Fan housing diameter	mm	312	312
Fan stages	n°	1	1
Max. airflow	m³/h	1850	1620
Max. pressure	KPa	4.8	4.8
Max. vacuum	KPa	4.4	4.4
Input power	W	2500	1800
Current	A	28	13
Max. speed	rpm	9500	9500
Weight	Kg	12.7	12.7
<b>Standard Features</b>			
Speed command input	VDC	0-10	0-10
Tach output	ppr	2	2

Options

- A) Mechanical
- » Large exhaust flange

B) Electrical / Software

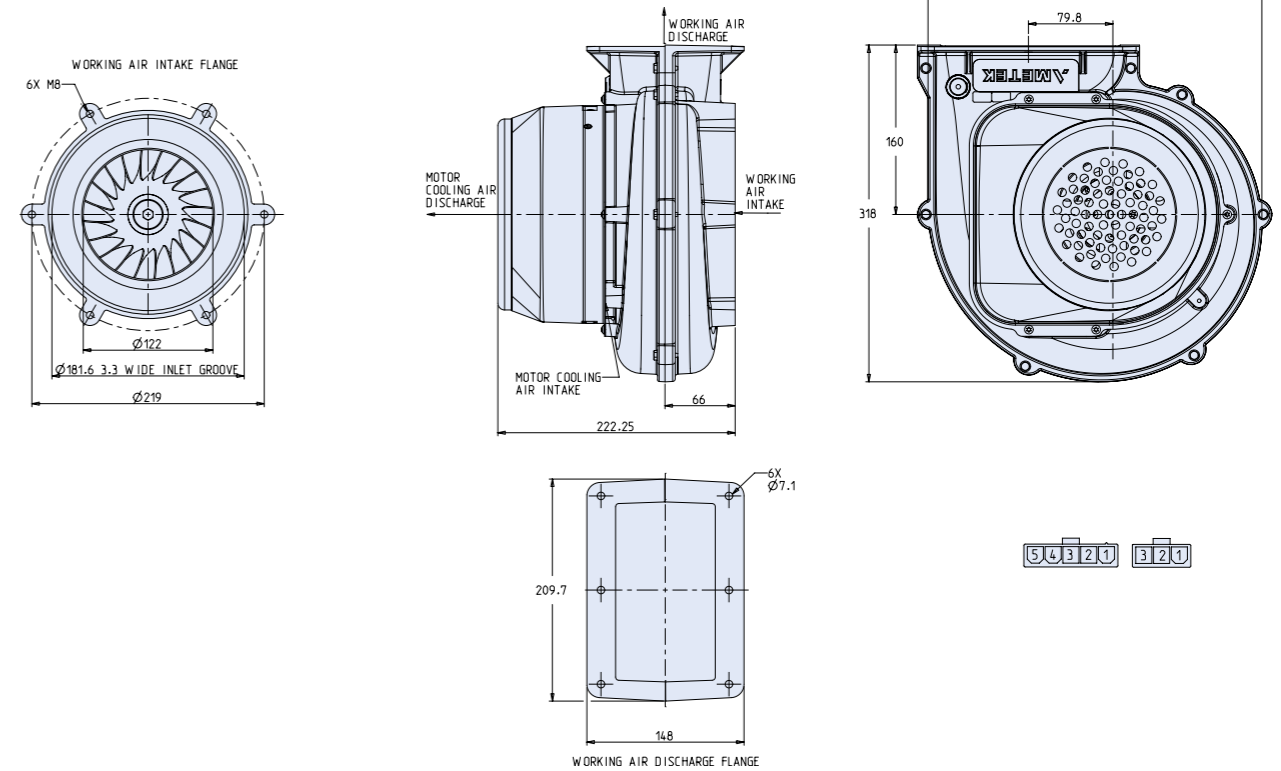
- » Various digital output signals (tach-out 2ppr std.)
- » Tach output resolution (up to 6 ppr)
- » Speed command input (PWM or 5-20mA)
- » Open-loop speed control

- » Customized software functions
- » External potentiometer input s
- » Auxiliary DC voltage output
- » Without digital output

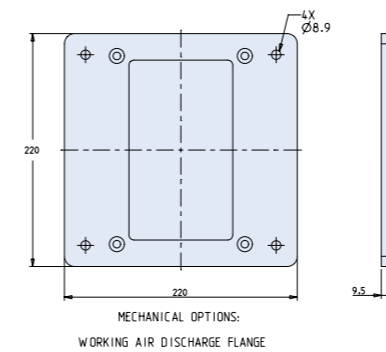
» BB 158 312 mm AC 1Ph | 612 158  
Blower ByPass Brushless



Dimensions in mm



Mechanical options



See page 97 for Connector Harnesses

Pin Assignment

120V	Molex 10-89-7042	Molex 39-30-3056		
230V	Molex 1-350943-0	Molex 39-30-3056		
	Pin #	Function (Power)	Pin #	Function (Control)
	1	AC Input (Common)	1	Not used
	2	A/C Input	2	Tach Output
	3	Not used	3	Signal input 0..10V
			4	Not used
			5	Control Ground

Characteristic diagram

