

BB 89 145 mm 3-Stage AC | 612 089

Blower ByPass Brushless

- » BLDC Blower / Electronically Commutated
- » Onboard controller with digital signal processor (DSP)
- » Programmable for various speed profiles and signals
- » Closed-Loop speed control
- » Universal voltage capability
- » Onboard calibration potentiometer
- » Robust aluminium housing and impeller
- » Aerodynamically optimized impeller and housing



Data		650W	1200W	1400W
Nominal voltage	VAC	100-240	100-240	230
Frequency	Hz	50/60	50/60	50/60
Phase	~	1	1	1
Fan housing diameter	mm	145	145	145
Fan stages	n°	3	3	3
Max. airflow	m ³ /h	73	145	150
Max. pressure	KPa	19	38.5	42
Max. vacuum	KPa	18.1	36.3	39.6
Input power	W	650	1200	1400
Current @ 120V	A	7	12	-
Current @ 230V	A	5	9	11
Max. speed	rpm	13500	23000	25000
Weight	Kg	2.7	2.7	2.7
Standard Features				
Speed command input	VDC	0-10	0-10	0-10

Options

A) Mechanical

- » Enhanced corrosion protection
- » No inlet tube on working air
- » Working air peripheral discharge
- » Cooling air inlet tube
- » Various mounting patterns

B) Electrical / Software

- » Various digital output signals
- » Tach output resolution (up to 6 ppr)
- » Speed command input (PWM or 5 - 20mA)
- » Open-loop speed control

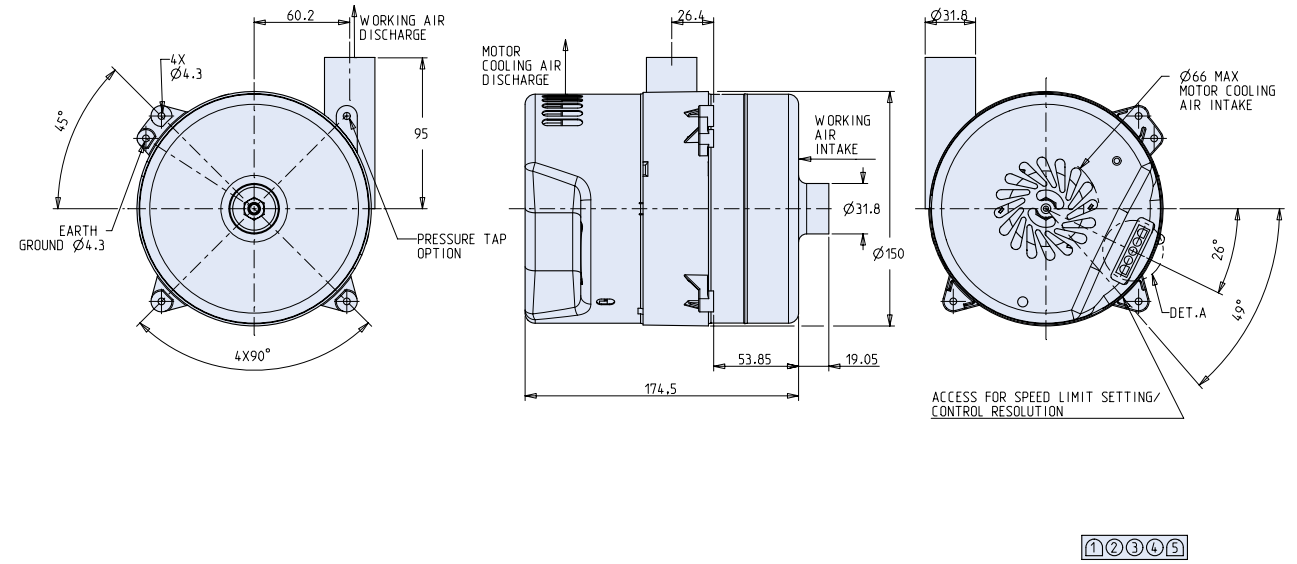
- » Customized software functions
- » External potentiometer input s
- » Auxiliary DC voltage output

BB 89 145 mm 3-Stage AC | 612 089

Blower ByPass Brushless



Dimensions in mm



See page 50 for Mechanical Options
See page 97 for Connector Harnesses

Pin Assignment

Mating Connector: AMP Mate-N-Lok 350809-1,
using universal Mate-N-Lok Sockets with 18 gauge wire
Mating Connector Pins: Mate-N-Lok 350874-1

Pin #	Function
1	Speed command 0-10VDC
2	Speed command 0-10VDC
3	Ground
4	Line
5	Neutral

Characteristic diagram

