

- » BLDC Blower / Electronically Commutated
- » Onboard controller with digital signal processor (DSP)
- » Programmable for various speed profiles and signals
- » Closed-Loop speed control
- » Universal voltage capability
- » Onboard calibration potentiometer
- » Robust aluminium housing and impeller
- » Aerodynamically optimized impeller and housing



Data		650W	1200W	1400W
Nominal voltage	VAC	100-240	100-240	230
Frequency	Hz	50/60	50/60	50/60
Phase	~	1	1	1
Fan housing diameter	mm	193	193	193
Fan stages	n°	1	1	1
Max. airflow	m3/h	310	370	400
Max. pressure	KPa	9.7	10.8	10.8
Max. vacuum	KPa	9	9.8	9.8
Nominal Max. Input power	W	650	1200	1400
Current @ 120V	A	8	12.2	-
Current @ 230V	A	5	8.6	10
Max. speed	rpm	15000	15000	15000
Weight	Kg	2.7	2.7	2.7
Standard Features				
Speed command input	VDC	0-10	0-10	0-10
Tach output	ppr	2	2	2

Options

A) Mechanical

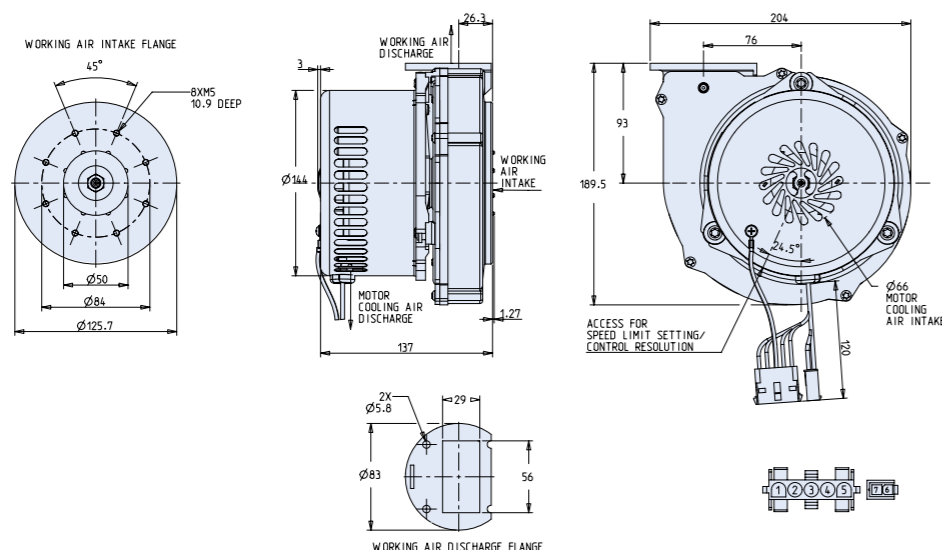
- » Enhanced corrosion protection
- » various exhaust flange details
- » various inlet flange details

B) Electrical / Software

- » Various digital output signals (tach-out 2ppr std.)
- » Tach output resolution (up to 6 ppr)
- » Speed command input (PWM or 5-20mA)
- » Open-loop speed control
- » Customized software functions
- » External potentiometer input s
- » Auxiliary DC voltage output
- » without digital output (cable/connector removed)

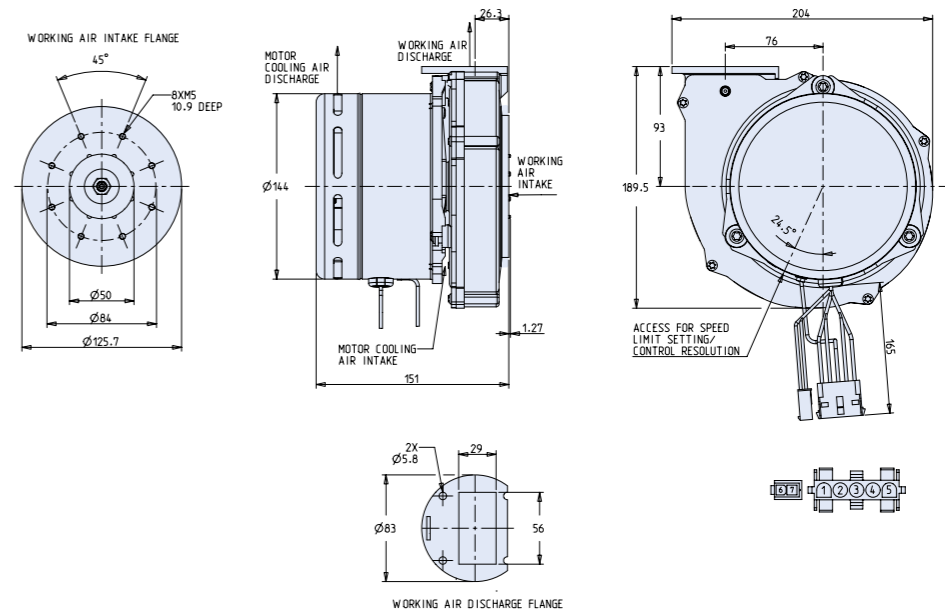
Dimensions in mm

650 W

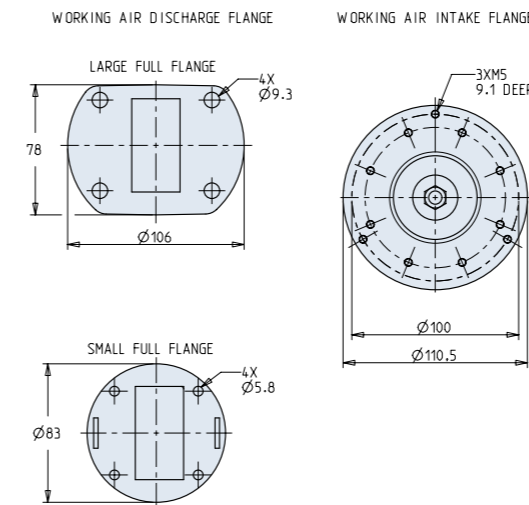


Dimensions in mm

1200/1400 W



Mechanical options



Speed Control options and Electrical Connection

Pin Assignment			
05P AMP Mate-N-Lok 350810-1		2 Pole Molex 39-01-3029	
Male Pins AMP 350873-1		Male Pins Molex PN 39000061	
Pin #	Function	Pin #	Function
1	Speed command Common	6	Signal Digital Output
2	Speed command 0-10VDC	7	Common Digital Output
3	Ground		
4	Line		
5	Neutral		

PWM: 400Hz – 20Mz +10V nominal, min 10% duty cycle

Pin #	Function
1	Speed command PWM
2	Speed command PWM

Current: mA – 20mA +10V nominal

Pin #	Function
1	Speed command current
2	Speed command current

On/Off: Without Electrical Speed Control

Pin #	Function
1	Not used
2	Not used

Molex connector (Pin # 6 & 7) not present

Characteristic diagram

