

- » BLDC Blower / Electronically Commutated
- » Onboard controller with digital signal processor (DSP)
- » Programmable for various speed profiles and signals
- » Closed-Loop speed control
- » Universal voltage capability
- » Onboard calibration potentiometer
- » Robust aluminium housing and impeller
- » Aerodynamically optimized impeller and housing



Data		850W	1200W	1400W
Nominal voltage	VAC	100-240	100-240	230
Frequency	Hz	50/60	50/60	50/60
Phase	~	1	1	1
Fan housing diameter	mm	226	226	226
Fan stages	n°	1	1	1
Max. airflow	m³/h	730	895	930
Max. pressure	kPa	3.5	3.5	3.5
Max. vacuum	kPa	3.3	3.3	3.3
Input power	W	850	1200	1400
Current @ 120V	A	9	12	-
Current @ 230V	A	7	9	10
Max. speed	rpm	11000	11000	11000
Weight	Kg	4	4	4
Standard Features				
Speed command input	VDC	0-10	0-10	0-10
Tach output	ppr	2	2	2

Options

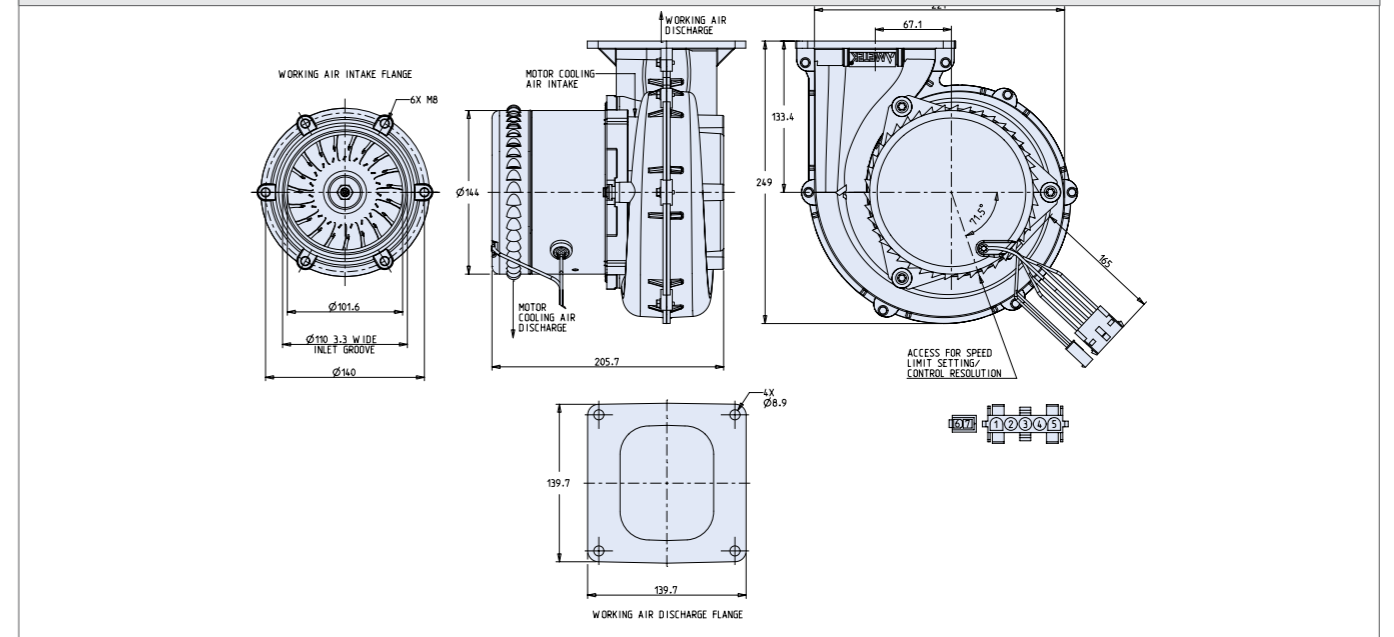
A) Mechanical

- » Enhanced corrosion protection

B) Electrical / Software

- » Various digital output signals (tach-out 2ppr std.)
- » Tach output resolution (up to 6 ppr)
- » Speed command input (PWM or 5-20mA)
- » Open-loop speed control
- » Customized software functions
- » External potentiometer input s
- » Auxiliary DC voltage output
- » Without digital output

Dimensions in mm



Speed Control options and Electrical Connection

PWM: 400Hz – 20Mz +10V nominal, min 10% duty cycle

Pin #	Function
1	Speed command PWM
2	Speed command PWM

Current: 5mA – 20mA +10V nominal

Pin #	Function
1	Speed command current
2	Speed command current

On/Off: Without Electrical Speed Control

Pin #	Function
1	Not used
2	Not used

Molex connector (Pin # 6 & 7) not present

Pin Assignment

Pin #	Function	Pin #	Function
05P AMP Mate-N-Lok 350810-1	2 Pole Molex 39-01-3029		
Male Pins AMP 350873-1	Male Pins Molex PN 39000061		
1	Speed command Common	6	Signal Digital Output
2	Speed command 0-10VDC	7	Common Digital Output
3	Ground		
4	Line		
5	Neutral		

Characteristic diagram

