

The brakes can be mounted to the motor either openly or with covers in protection class up to IP 65. In combination with the brushless motors, the brakes can also be integrated in the profile housing in protection class IP 65.

Power-off brakes

E 22 R • E 100 R

These brakes are based on permanent magnets.

The E 100 R is available on request.

The correct polarity must be observed.

E 38 R • E 90 R • E 310 R • E 600 R

These brakes are based on spring force. This design is particularly robust and insensitive to temperature and load changes.

The open design of the E 90 R is also available with manual unlocking and optionally with manual release.

Power-on brakes

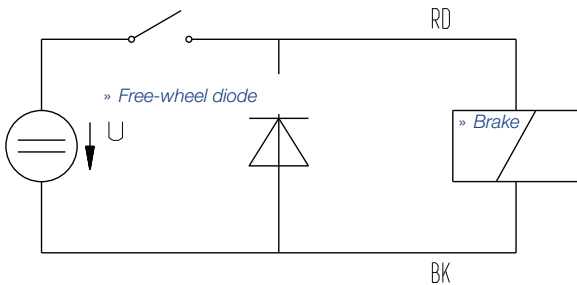
E 46 A • E 100 A • E 300 A

Working current brakes are available on request.

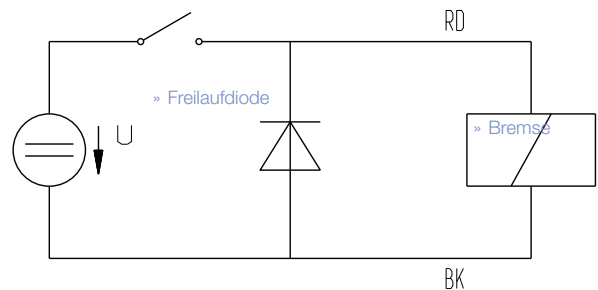
General information

The brakes are designed as static brakes, but have emergency stop characteristics. The performance data are guideline values that can deviate in individual cases. When selecting the brakes, carefully check and coordinate installation situations, braking torque fluctuations, friction work, running-in behaviour and wear as well as ambient conditions. In the event of temperature fluctuations, the torque can drop sharply, e.g. due to condensation. During prolonged standstill, the friction linings can stick to the friction surfaces. The user must take appropriate counter-measures.

Wiring proposal:



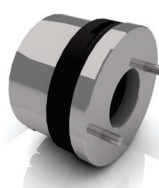
Beschaltungsvorschlag:



E 38 R



E 46 A



E 90 R



E 100 R

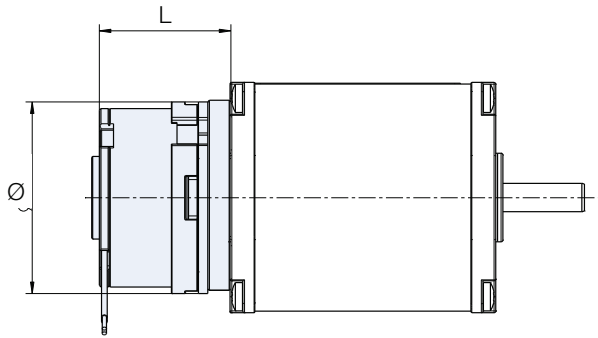


E 310 R

| Data/ Technische Daten | | E 22 R | E 38 R | E 46 A | E 90 R | E 100 A | E 100 R | E 300 A | E 310 R | E 600 R |
|--|-----|--------|--------|--------|--------|---------|---------|---------|---------|---------|
| Nominal voltage/ Nennspannung | VDC | 24 | 24 | 24 | 24 | 24 | 24 | 24 | 24 | 24 |
| Nominal torque*/ Nenn Drehmoment* | Nm | 0.1 | 0.2 | 0.3 | 1 | 1.5 | 1.5 | 3 | 3.3 | 7 |
| Nominal current*/ Nennstrom* | mA | - | 200 | 260 | 310 | 330 | 380 | 410 | 530 | 610 |
| Nominal input power*/ Nennleistungsaufnahme* | W | 2.5 | 5 | 6.3 | 7.5 | 8 | 11 | 10 | 12.7 | 14.7 |
| Activation time/ Schließzeit | ms | - | 5 | 8 | 30 | 8 | 6 | 17 | 20 | 20 |
| Deactivation time/ Lüftzeit | ms | - | 20 | 5 | 30 | 25 | 25 | 8 | 65 | 80 |
| Protection class/ Schutzklasse | IP | 20 | 20 | 20 | 20 | 20 | 20 | 20 | 20 | 20 |
| Weight/ Gewicht | kg | - | 0.12 | 0.1 | 0.45 | 0.175 | 0.20 | 0.35 | 0.5 | 0.9 |

* Values valid in run-in condition/ ** Werte gelten für den eingelaufenen Zustand

Brakes/ Bremsen IP 20

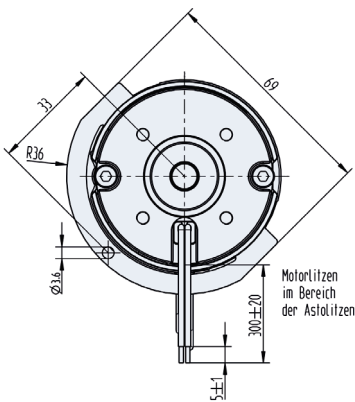


Brakes are not in extruded body/ Bremsen nicht im Profilgehäuse

Length/ Längen (L in mm)

| | E 22 | E 38 | E 46 | E 90 | E 100 | E 310 | E 600 |
|-----------------------------------|------|------|------|------|-------|-------|-------|
| Ø | 22 | 38 | 46 | 59 | 48 | 70 | 84 |
| L | 30 | 23 | 25.5 | 42.3 | 47 | 45.7 | 50 |
| Strand colour/ Litzenfarbe GND | blue | grey | grey | grey | black | blue | blue |
| Strand colour/ Litzenfarbe VDC | red | grey | grey | grey | red | red | red |
| Strand length/ Litzenlänge | 400 | 300 | 500 | 300 | 400 | 500 | 500 |

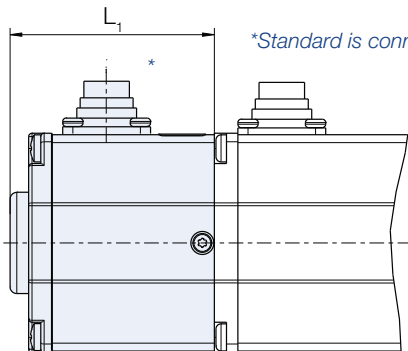
E 90 R with manual release / E 90 R mit Handlüftung



The hole Ø3.6 in the lever is used to attach a Bowden cable for actuation. The actuation can be done to the front or to the rear/ Die Bohrung Ø3,6 im Hebel dient dazu einen Bowdenzug zur Betätigung zu befestigen. Die Betätigung kann nach hinten oder vorne erfolgen.

Motorlitzen
im Bereich
der Astolitzen

Brakes in extruded body/ Bremsen in Profilgehäuse IP 65

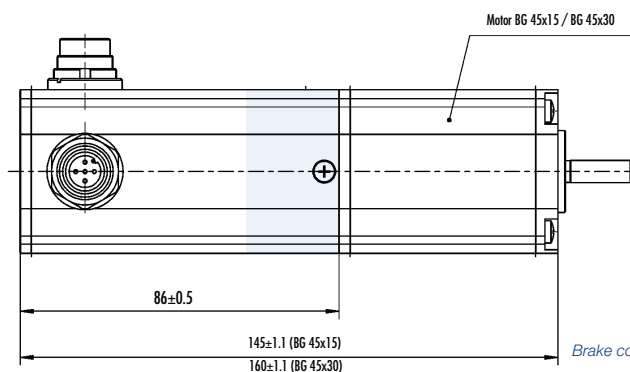


| Pin | |
|-----|------|
| 1 | + |
| 2 | - |
| 3 | n.c. |
| 4 | n.c. |
| 5 | n.c. |
| 6 | n.c. |

Length/ Längen (L in mm)

| | E 90 + BG 66 | E 90 + BG 75 | E 100 + BG 65 | E 100 + BG 75 |
|----------------|---------------|---------------|---------------|---------------|
| L ₁ | 60 | 69 | 60 | 58 |
| | E 310 + BG 75 | E 600 + BG 95 | | |
| L ₁ | 58 | 65 | | |

Integrated brake BG 45 XI/ Integrierte Bremse BG 45 XI



Motor BG 45x15 / BG 45x30

Brake control E 38 by software./ Ansteuerung Bremse E 38 über Software.

■ Preferred series/ Vorzugsreihe ■ Standard product/ Standardprodukt ■ On request/ auf Anfrage See notes page 8/ Hinweise siehe S. 8