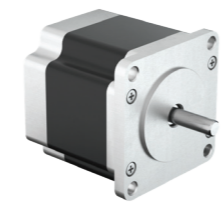


- » 57 mm square Nema 23
- » Hi grade Neodymium magnets
- » 1.8° step angle (+/-5%)
- » customized solutions available on demand

- » Operating temperatures -20°C to +40°C
- » Sinusoidal back-EMF optimized for microstep operation and hi holding torque
- » Insulation Class 130 (B)

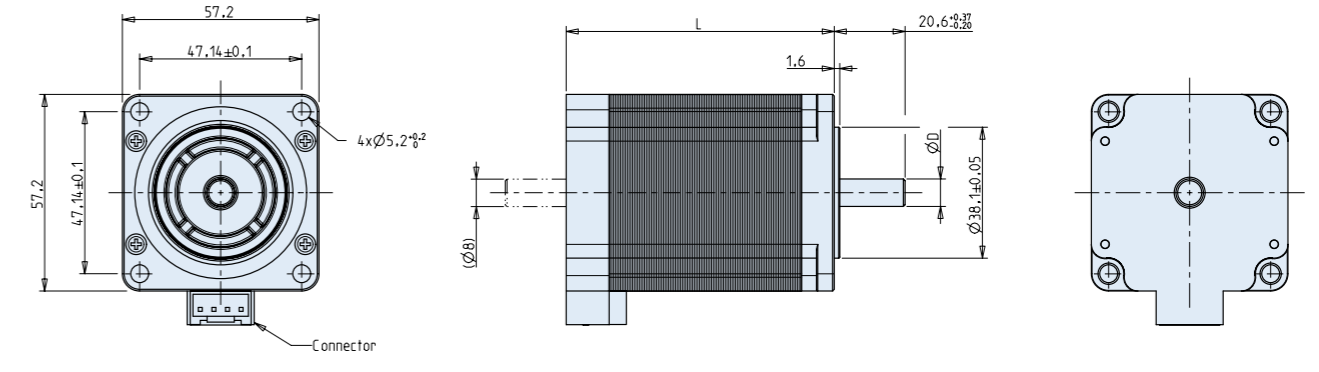


Data		23x16	23x16	23x16	23x21	23x21	23x21	23x31	23x31	23x31	23x31
Rated phase current	A	1	2	3	1	2	3	1	2	3	4
Phase resistance	Ohm	3,67	0,98	0,42	5,14	1,33	0,61	6,26	1,57	0,69	0,43
Phase Inductance	mH	13,51	3,21	1,58	20,75	5,67	2,3	22,35	5,77	2,7	1,66
Holding torque Bipolar	Ncm	70	70	70	140	140	140	200	200	200	210
Detent torque	Ncm	3	3	3	5	5	6	8	7	7	7
Rotor inertia	gcm ²	77	77	77	209	209	209	335	335	335	335
Max voltage	VDC	80	80	80	80	80	80	80	80	80	80
Weigth	Kg	0,46	0,46	0,46	0,7	0,7	0,7	1,05	1,05	1,05	1,05

all data measured with standard cables 300 mm at 25°C



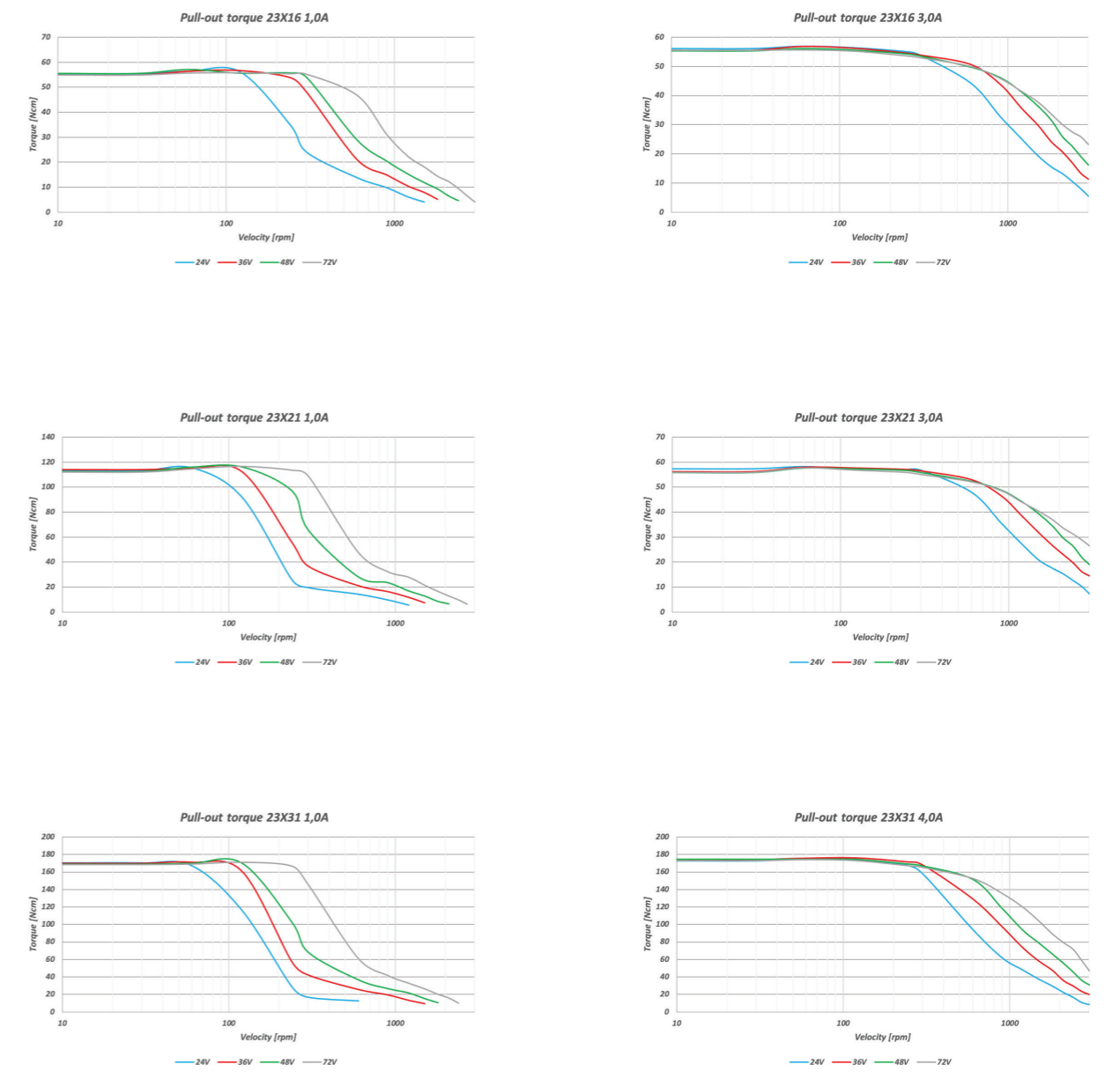
Dimensions in mm



» Shaft D cut options: 5.8X15 mm or 7.5X15mm

Motor	L	D φ
23X16	40±0,6	6,35
23X21	55±0,6	6,35
23X31	78±0,6	8

Characteristic diagram



Modular System

